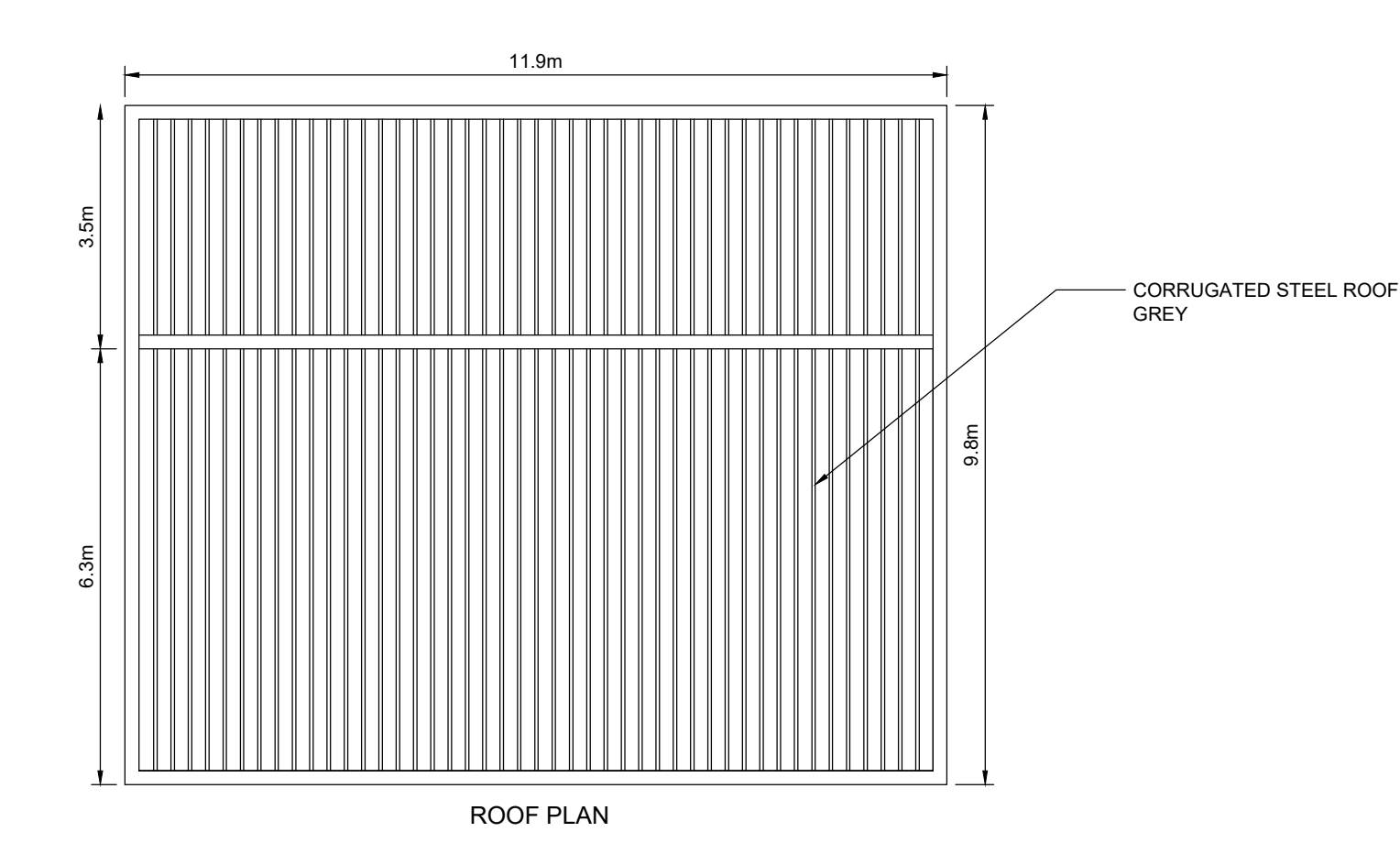
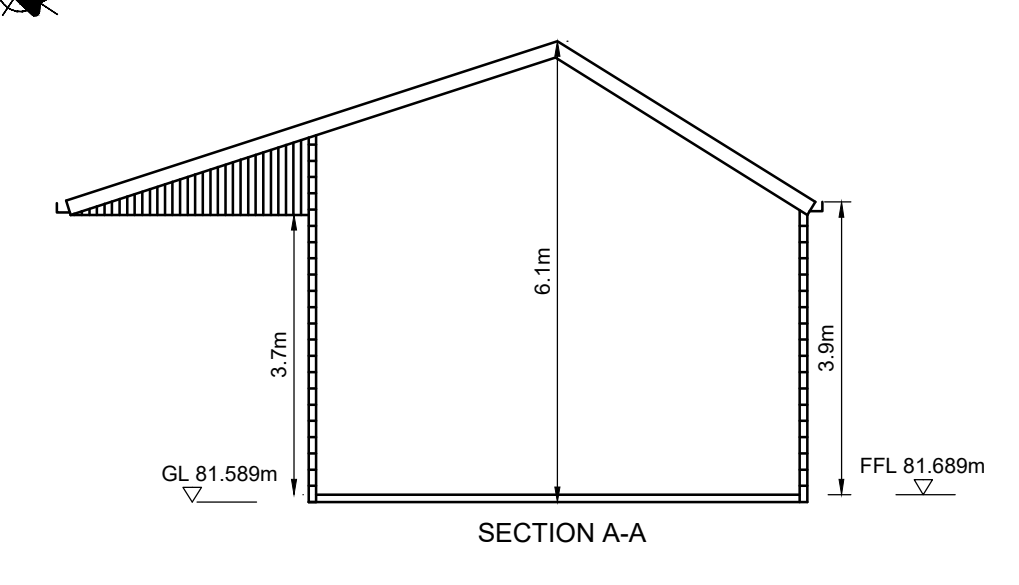
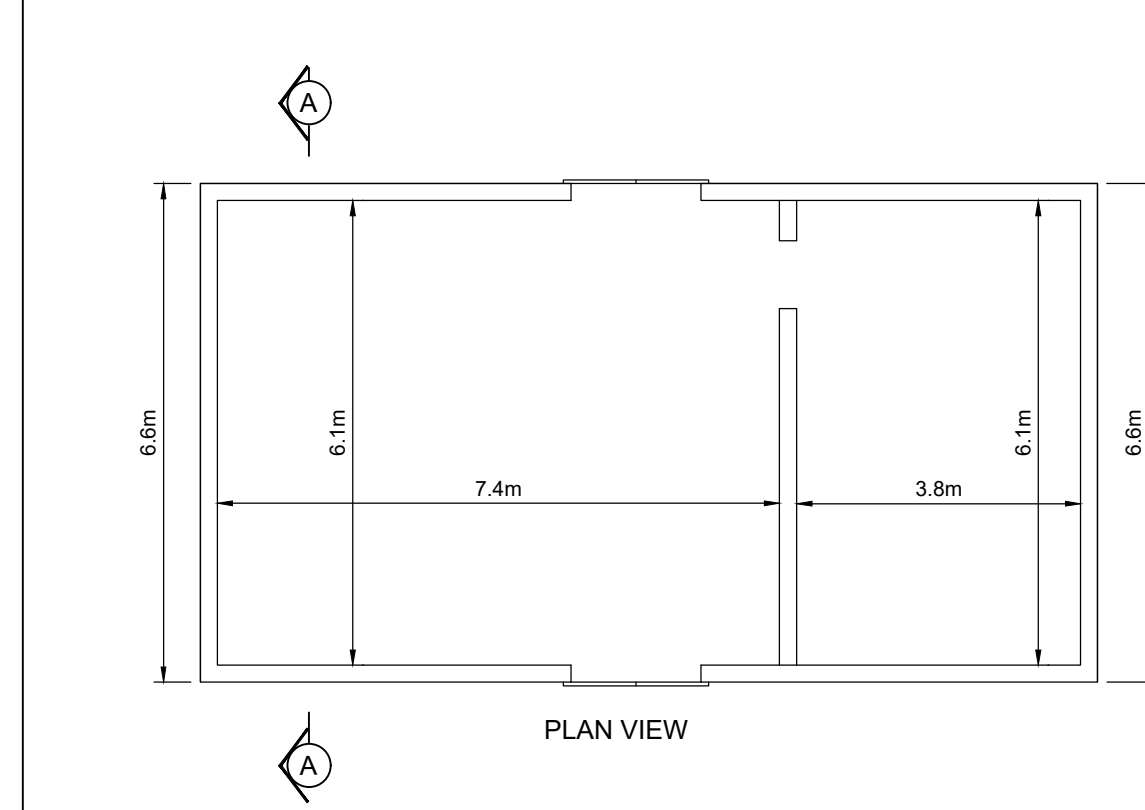
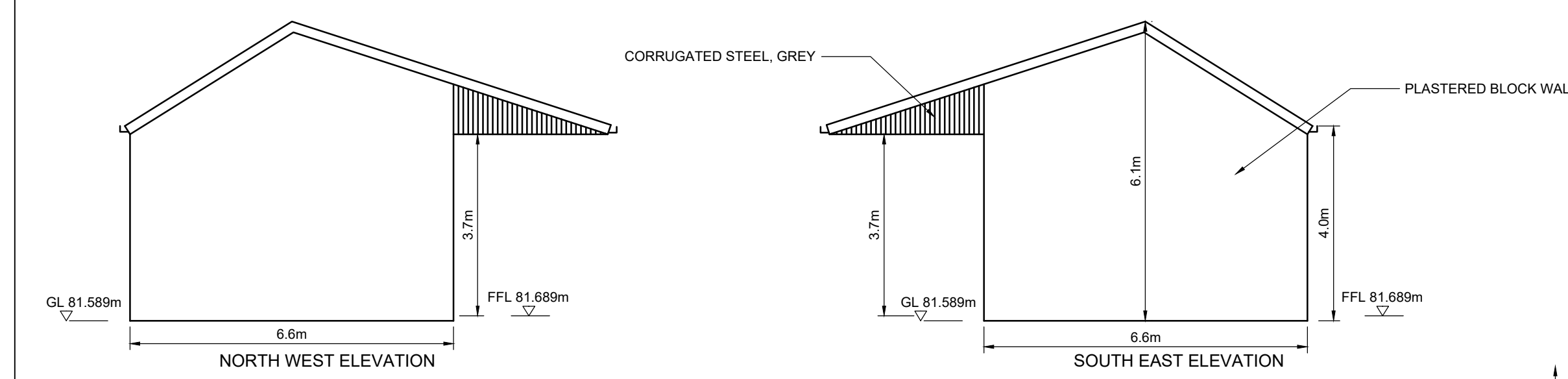
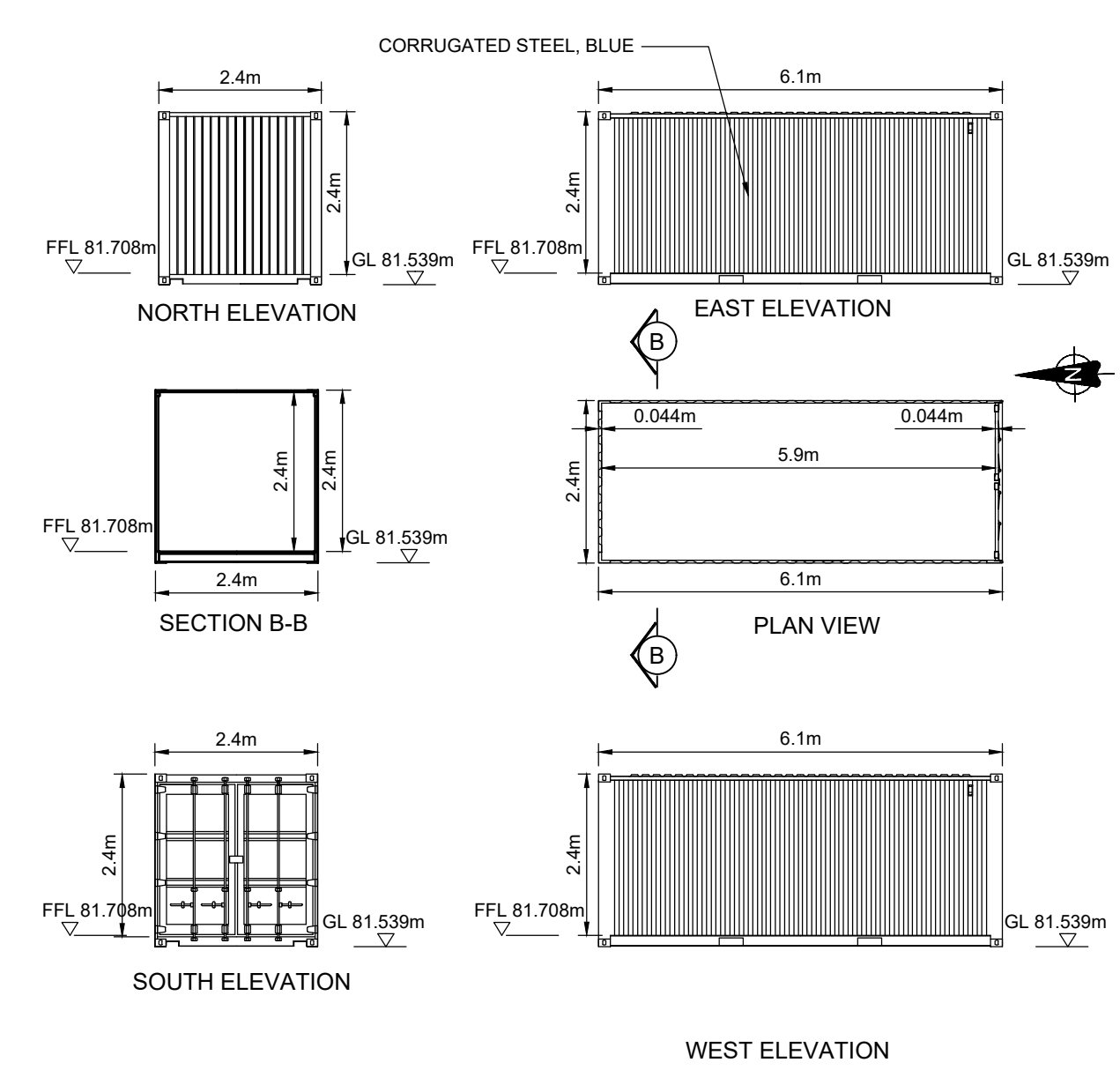
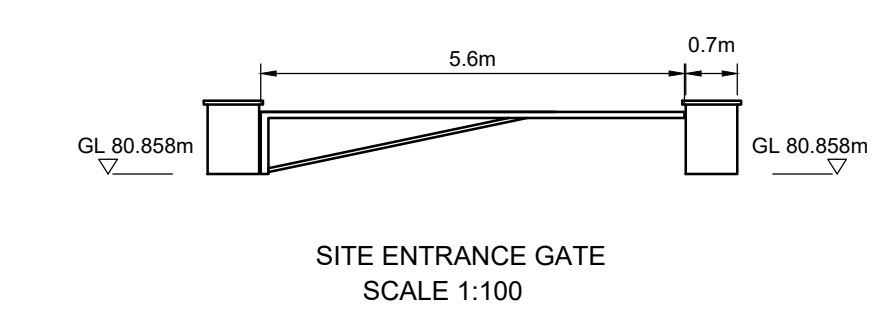
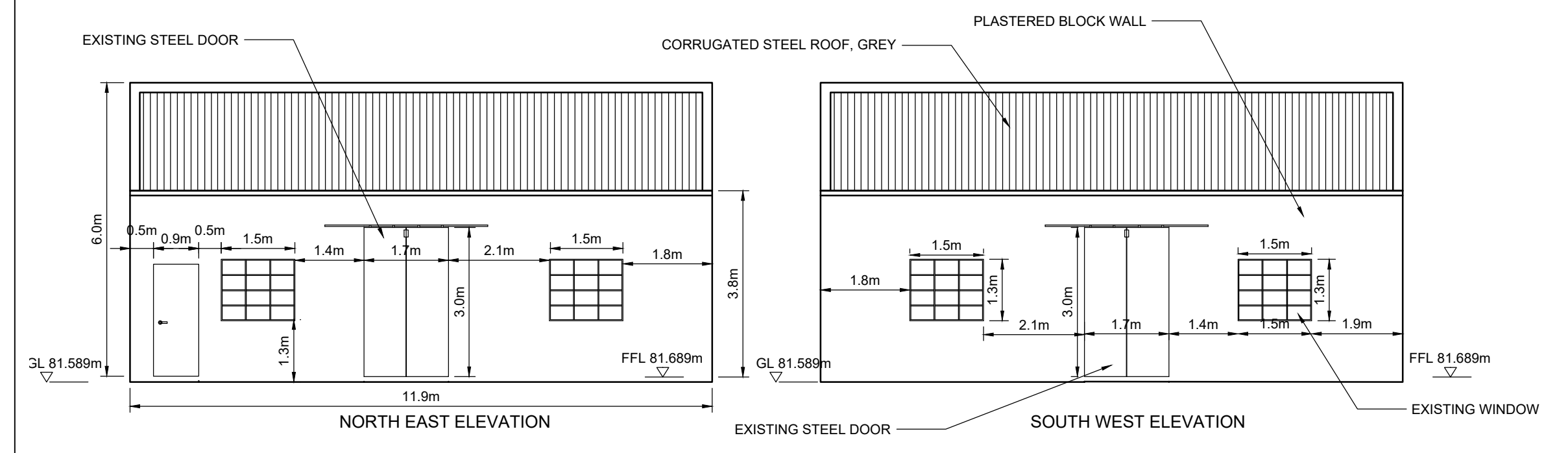
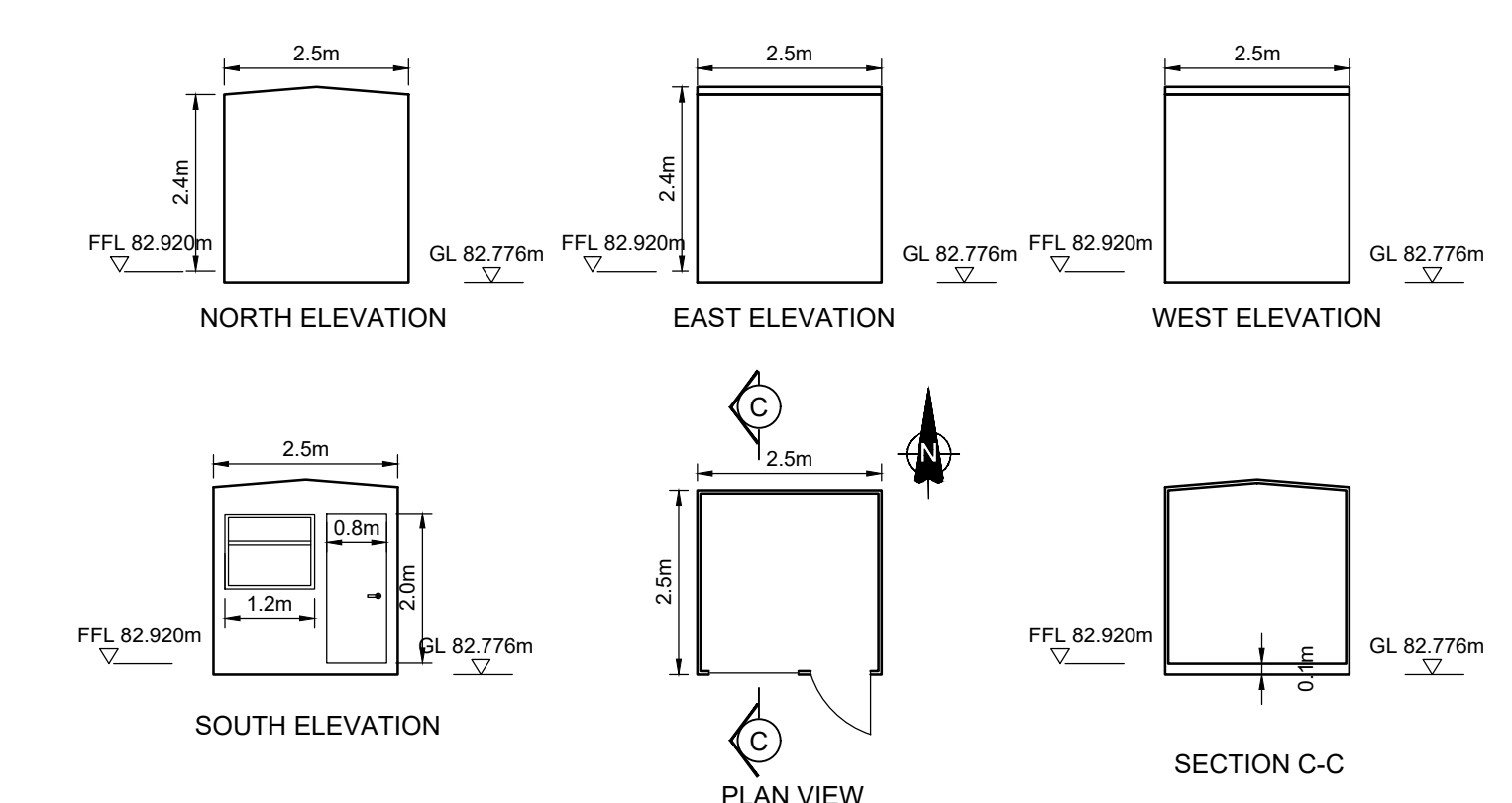


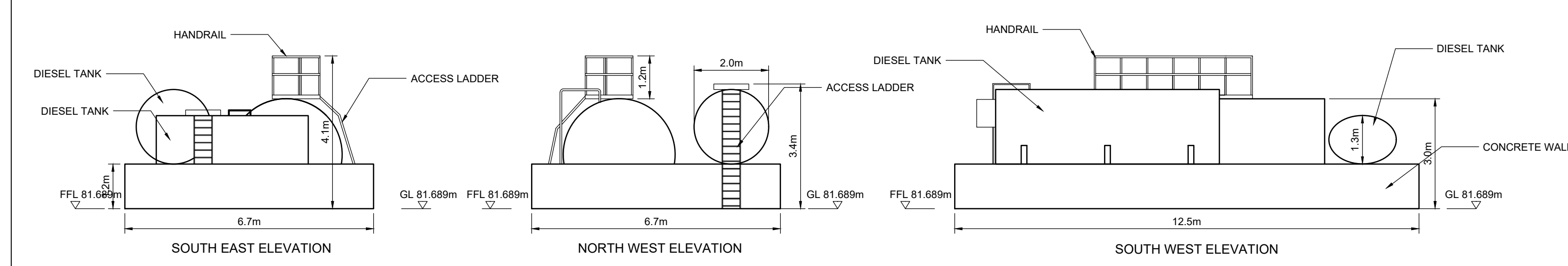
- NOTES:**
1. THIS DRAWING IS FOR PLANNING APPLICATION PURPOSES ONLY.
 2. DRAWING NOT TO BE SCALED. FIGURED DIMENSIONS ONLY TO BE USED.
 3. ALL LEVELS TO MALIN HEAD METRES ABOVE DATUM



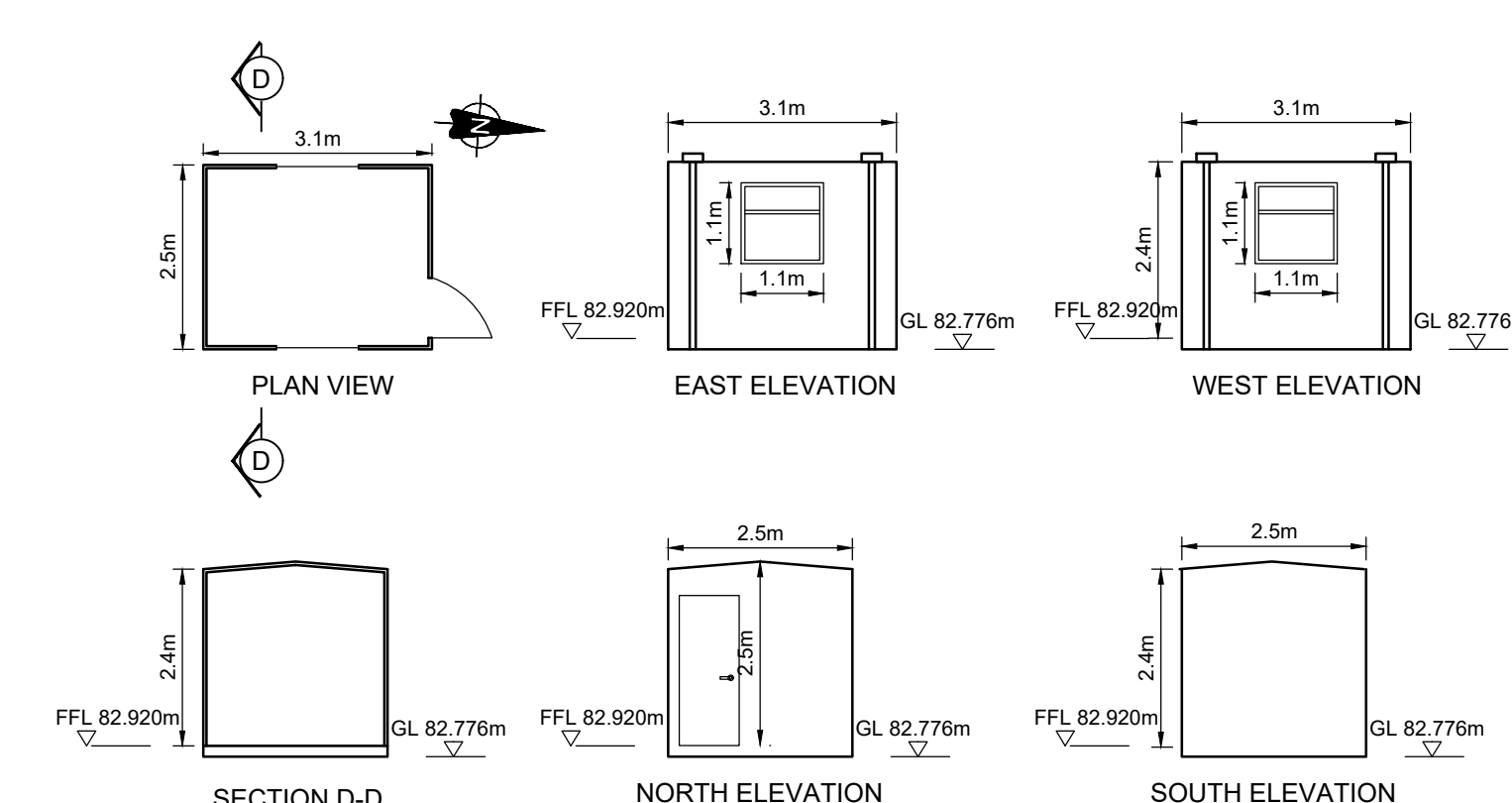
STORAGE SHED MN01
SCALE 1:100



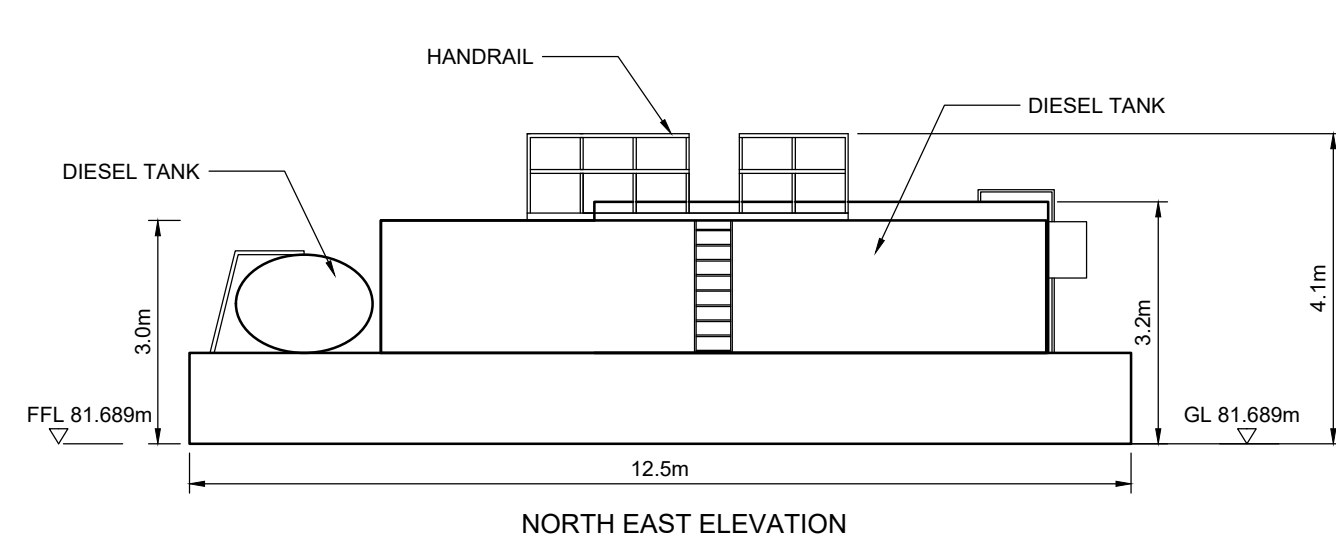
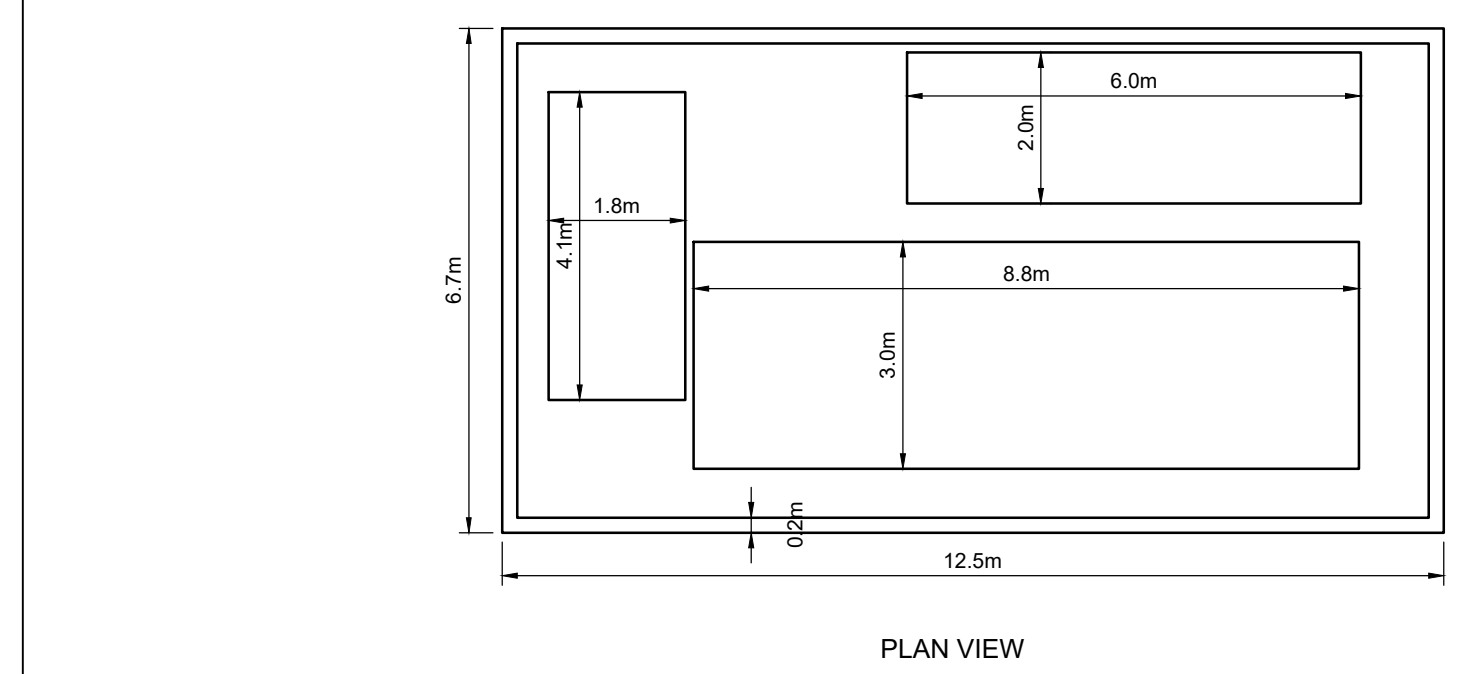
WELFARE UNIT MN06
SCALE 1:100



STORAGE CONTAINER MN02
SCALE 1:100



WELFARE UNIT MN05
SCALE 1:100



NORTH EAST ELEVATION

REVISION	By	Date	Chk'd	Title:
				SUBSTITUTE CONSENT APPLICATION MONETTIA, CO LAOIS
				BUILDINGS AND STRUCTURES
				Dimensions in METRES
				Scale: 1/100 @ A1
				Drawn By: CG 29/04/2020
				Checked By: PN 06/05/2020
				Approved By: PN 13/05/2020
				Project: SC-0500-MN-DR05
				Revision: 1
				Sheet 1 of 3

BORD MÓNA
Naturally Driven
Bord Na Móna Engineering Department
LEABEG, TULLAMORE CO. OFFALY
Tel: 057 9345900 Fax: 057 9345160